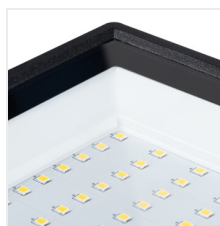


GRUN NV

LED reflektor



[V] 220-240 AC	[Hz] 50	Φ_{use} 120°	[°] 110	≥ 30000	[h] 25000	ellipse $\leq 6x$ MacAdam
Ra 70	SMD				[°C] -15÷35	
[°] 130	0,5m	Hg	CE	EAC	UK CA	



GRUN NV LED-10-B

	[W]	[lm]	[lm] Φ_{use}	Tc [K]	IP		SENSOR	EI
--	-----	------	-------------------	--------	----	--	--------	----

GRUN NV LED-10-B	31390	10	800	750	4000	65	černá	F
GRUN NV LED-20-B	31391	20	1700	1620	4000	65	černá	F
GRUN NV LED-30-B	31392	30	2650	2500	4000	65	černá	F
GRUN NV LED-50-B	31393	50	4500	4260	4000	65	černá	F
GRUN NV LED-100-B	31394	100	9500	8670	4000	65	černá	F
GRUN NV LED-150-B	31395	150	14250	13090	4000	65	černá	F
GRUN NV LED-200-B	31396	200	19000	17500	4000	65	černá	F
GRUN NV LED-10-B-SE	31397	10	800	750	4000	44	černá	PIR F
GRUN NV LED-20-B-SE	31398	20	1700	1620	4000	44	černá	PIR F
GRUN NV LED-30-B-SE	31399	30	2650	2500	4000	44	černá	PIR F
GRUN NV LED-50-B-SE	31400	50	4500	4260	4000	44	černá	PIR F

- Materiál korpusu: hliníková slitina
- Materiál difuzoru: tvrzené sklo

GRUN NV

LED reflektor



GRUN NV LED-10-B



GRUN NV LED-20-B



GRUN NV LED-30-B



GRUN NV LED-50-B



GRUN NV LED-100-B



GRUN NV LED-150-B



GRUN NV LED-200-B



GRUN NV LED-10-B-SE



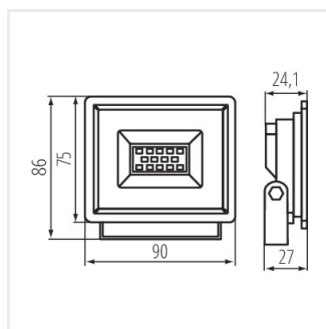
GRUN NV LED-20-B-SE



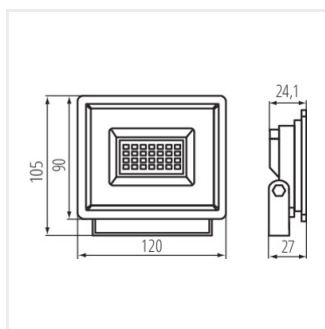
GRUN NV LED-30-B-SE



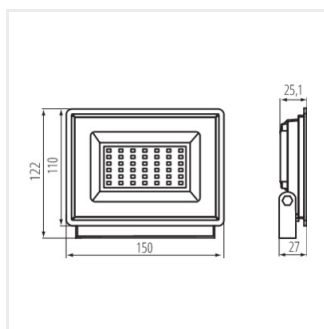
GRUN NV LED-50-B-SE



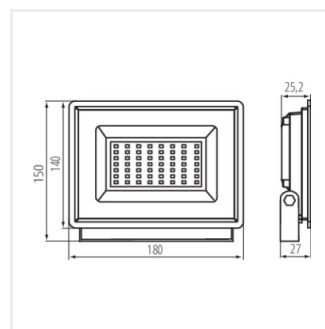
GRUN NV LED-10-B



GRUN NV LED-20-B



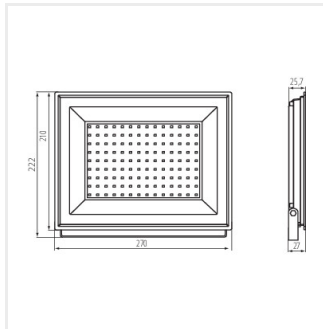
GRUN NV LED-30-B



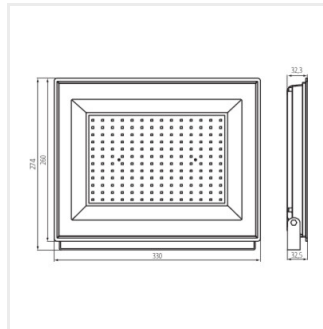
GRUN NV LED-50-B

GRUN NV

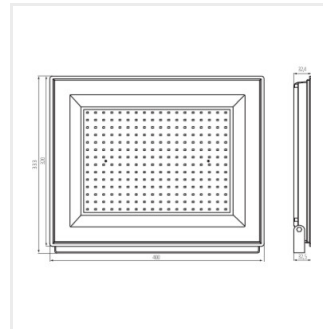
LED reflektor



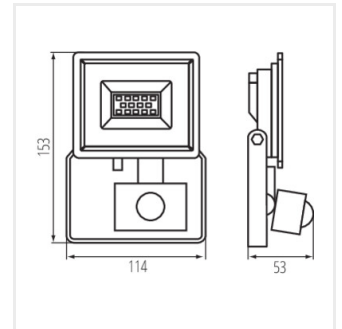
GRUN NV LED-100-B



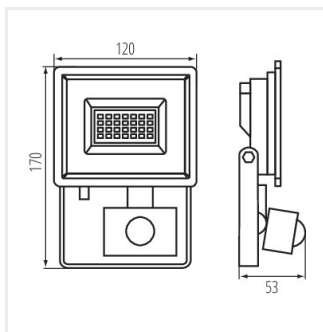
GRUN NV LED-150-B



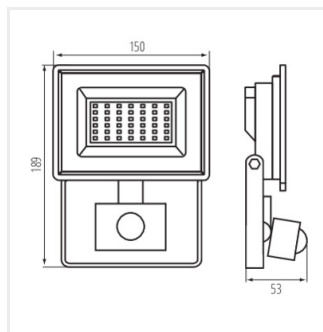
GRUN NV LED-200-B



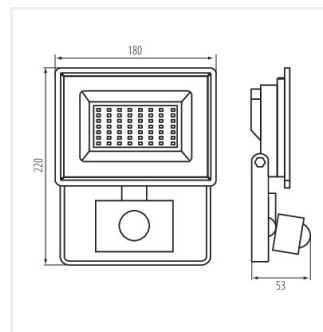
GRUN NV LED-10-B-SE



GRUN NV LED-20-B-SE



GRUN NV LED-30-B-SE



GRUN NV LED-50-B-SE