

TEAR N

Příslušenství k lištovému systému



 220-240 AC	 50	 16		IP 20		 5+25
	CE	EAC	PZH	UK CA		

TEAR N TR 1M-W

TEAR N

Příslušenství k lištovému systému

TEAR N TR 1M-W	33230
TEAR N TR 1M-B	33231
TEAR N TR 2M-W	33232
TEAR N TR 2M-B	33233
TEAR N PCON R-W	33234
TEAR N PCON R-B	33235
TEAR N EPLUG W	33236
TEAR N EPLUG B	33237
TEAR N ICON-I W	33238
TEAR N ICON-I B	33239
TEAR N CON-I W	33240
TEAR N CON-I B	33241
TEAR N CON-L RL-W	33242
TEAR N CON-L RL-B	33243
TEAR N CON-L LR-W	33244
TEAR N CON-L LR-B	33245
TEAR N CON-X W	33246
TEAR N CON-X B	33247
TEAR N CON-T RRL-W	33248
TEAR N CON-T RRL-B	33249
TEAR N CON-T RLL-W	33250
TEAR N CON-T RLL-B	33251
TEAR N CON-I FLEX W	33252
TEAR N CON-I FLEX B	33253
TEAR N SCLAMP W	33254
TEAR N SCLAMP B	33255
TEAR N SKIT W	33256
TEAR N SKIT B	33257
TEAR N PCON L-W	33260
TEAR N PCON L-B	33261
TEAR N CON-T LRR-W	33262
TEAR N CON-T LRR-B	33263
TEAR N CON-T LLR-W	33264
TEAR N CON-T LLR-B	33265

TEAR N

Příslušenství k lištovému systému



TEAR N TR 1M-W



TEAR N TR 1M-B



TEAR N TR 2M-W



TEAR N TR 2M-B



TEAR N PCON R-W



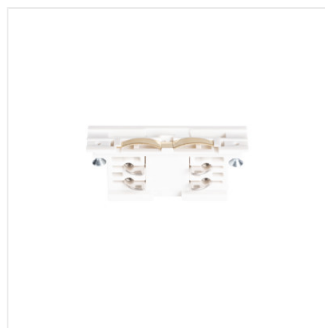
TEAR N PCON R-B



TEAR N EPLUG W



TEAR N EPLUG B



TEAR N ICON-I W



TEAR N ICON-I B



TEAR N CON-I W



TEAR N CON-I B



TEAR N CON-L RL-W



TEAR N CON-L RL-B



TEAR N CON-L LR-W



TEAR N CON-L LR-B

TEAR N

Příslušenství k lištovému systému



TEAR N CON-X W



TEAR N CON-X B



TEAR N CON-T RRL-W



TEAR N CON-T RRL-B



TEAR N CON-T RLL-W



TEAR N CON-T RLL-B



TEAR N CON-I FLEX W



TEAR N CON-I FLEX B



TEAR N SCLAMP W



TEAR N SCLAMP B



TEAR N SKIT W



TEAR N SKIT B



TEAR N PCON L-W



TEAR N PCON L-B



TEAR N CON-T LRR-W



TEAR N CON-T LRR-B

TEAR N

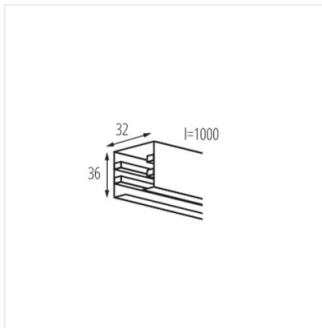
Příslušenství k lištovému systému



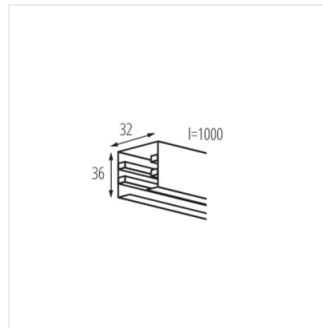
TEAR N CON-T LLR-W



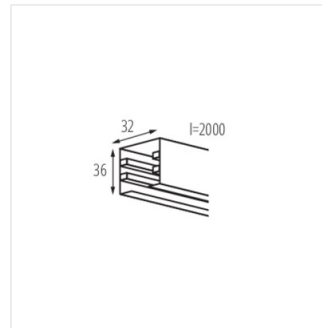
TEAR N CON-T LLR-B



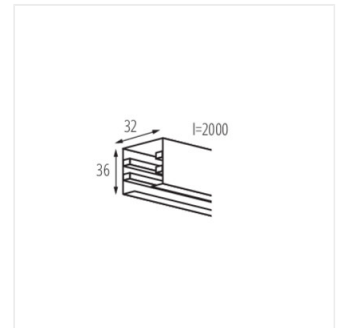
TEAR N TR 1M-W



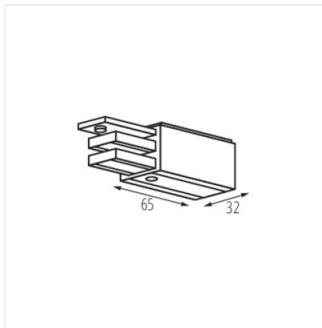
TEAR N TR 1M-B



TEAR N TR 2M-W



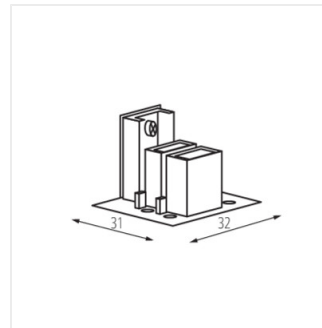
TEAR N TR 2M-B



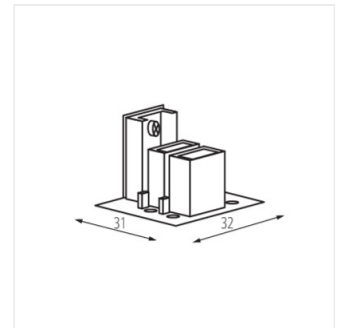
TEAR N PCON R-W



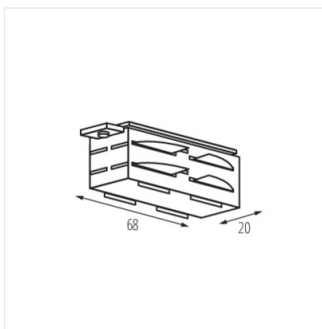
TEAR N PCON R-B



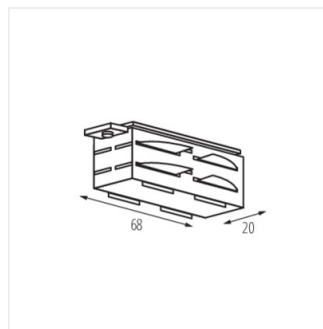
TEAR N EPLUG W



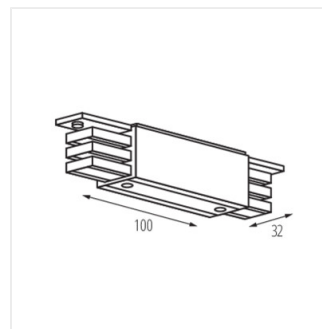
TEAR N EPLUG B



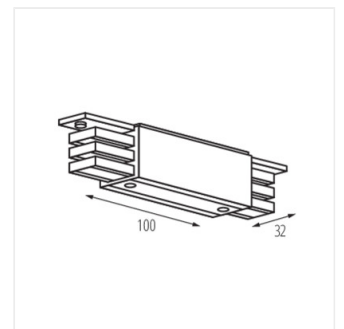
TEAR N ICON-I W



TEAR N ICON-I B



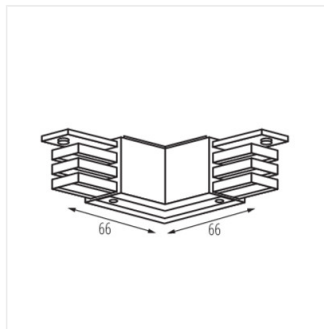
TEAR N CON-I W



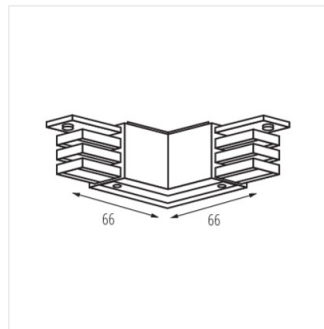
TEAR N CON-I B

TEAR N

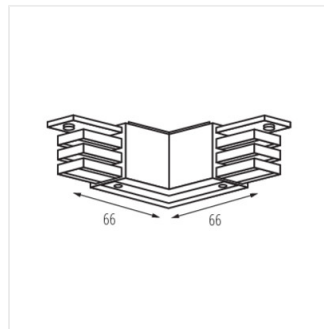
Příslušenství k lištovému systému



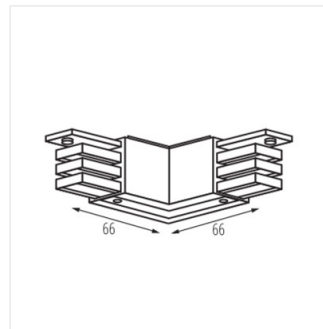
TEAR N CON-L RL-W



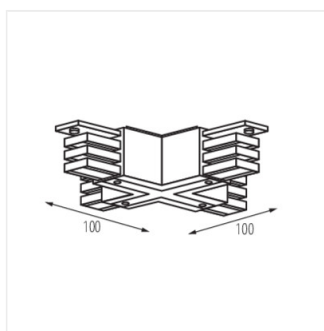
TEAR N CON-L RL-B



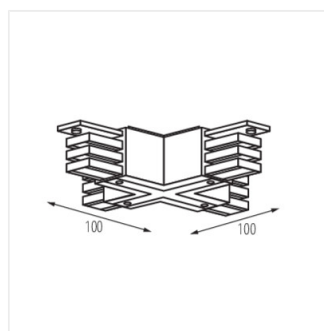
TEAR N CON-L LR-W



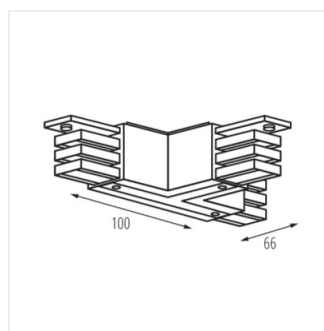
TEAR N CON-L LR-B



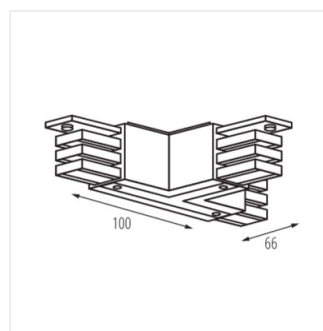
TEAR N CON-X W



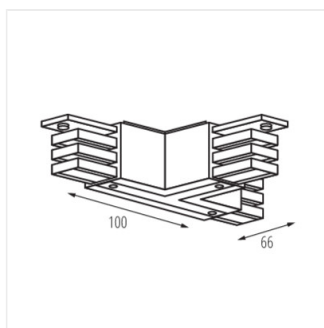
TEAR N CON-X B



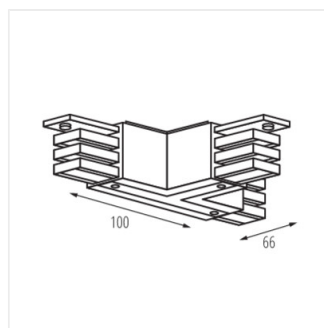
TEAR N CON-T RRL-W



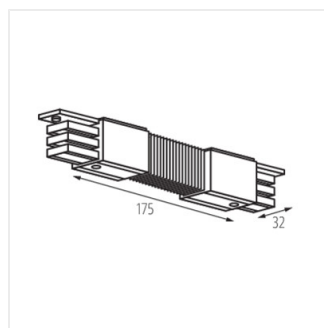
TEAR N CON-T RRL-B



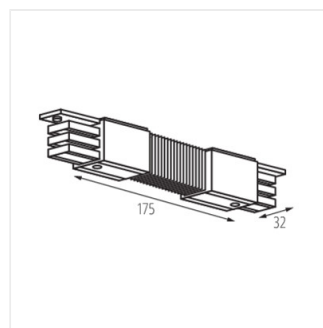
TEAR N CON-T RLL-W



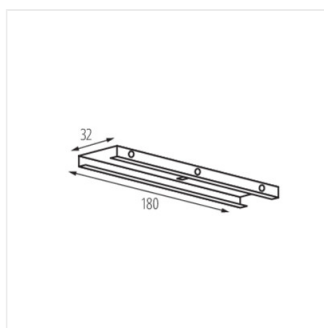
TEAR N CON-T RLL-B



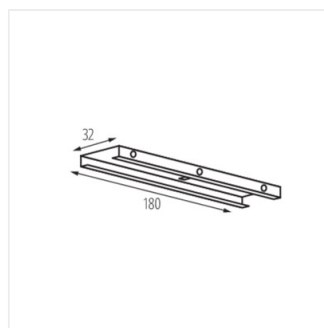
TEAR N CON-I FLEX W



TEAR N CON-I FLEX B



TEAR N SCLAMP W



TEAR N SCLAMP B



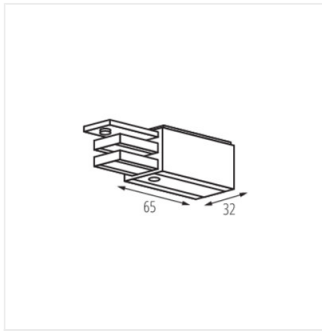
TEAR N SKIT W



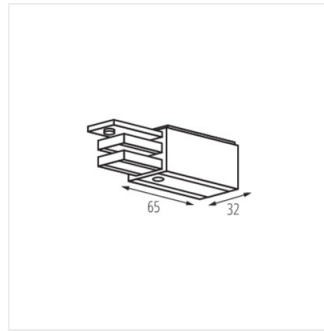
TEAR N SKIT B

TEAR N

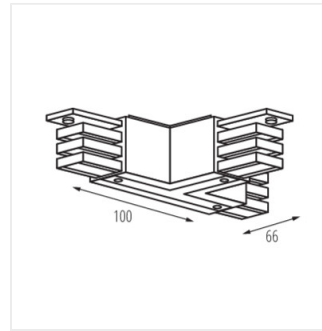
Příslušenství k lištovému systému



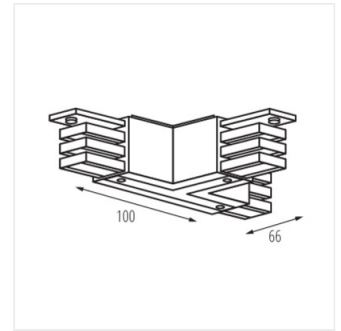
TEAR N PCON L-W



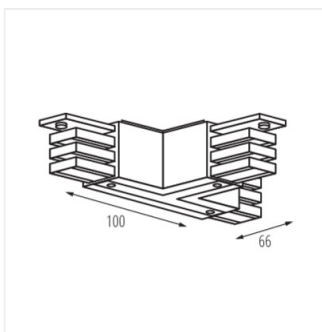
TEAR N PCON L-B



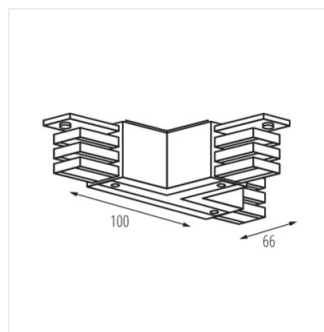
TEAR N CON-T LRR-W



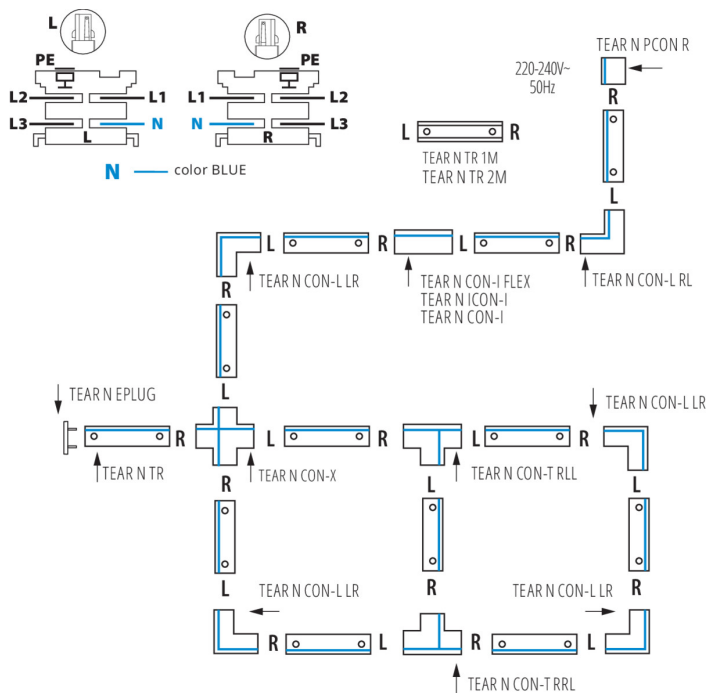
TEAR N CON-T LRR-B



TEAR N CON-T LLR-W



TEAR N CON-T LLR-B



PŘÍSLUŠENSTVÍ:

33230 TEAR N TR 1M-W



Track system component, TEAR N TR 1M-W, 3-circuit track, white, (33230)

33231 TEAR N TR 1M-B



Track system component, TEAR N TR 1M-B, 3-circuit track, black, (33231)

33232 TEAR N TR 2M-W



Track system component, TEAR N TR 2M-W, 3-circuit track, white, (33232)

TEAR N

Příslušenství k lištovému systému

33233 TEAR N TR 2M-B



Track system component, TEAR N TR 2M-B, 3-circuit track, black, (33233)

33234 TEAR N PCON R-W



Track system component, TEAR N PCON R-W, power connector with plug R, white, (33234)

33235 TEAR N PCON R-B



Track system component, TEAR N PCON R-B, power connector with plug R, black, (33235)

33260 TEAR N PCON L-W



Track system component, TEAR N PCON L-W, power connector with plug L, white, (33260)

33261 TEAR N PCON L-B



Track system component, TEAR N PCON L-B, power connector with plug L, black, (33261)

33236 TEAR N EPLUG W



Track system component, TEAR N EPLUG W, end plug, white, (33236)

TEAR N

Příslušenství k lištovému systému

33237	TEAR N EPLUG B	Track system component, TEAR N EPLUG B, end cap, black, (33237)
		
33238	TEAR N ICON-I W	Track system component, TEAR N ICON-I W, straight connector type "I" internal with plugs L, R, white, (33238)
		
33239	TEAR N ICON-I B	Track system component, TEAR N ICON-I B, straight connector type "I" internal with plugs L, R, black, (33239)
		
33240	TEAR N CON-I W	Track system component, TEAR N CON-I W, straight connector type "I" with plugs L, R, white, (33240)
		
33241	TEAR N CON-I B	Track system component, TEAR N CON-I B, straight connector type "I" with plugs L, R, black, (33241)
		
33252	TEAR N CON-I FLEX W	Track system component, TEAR N CON-I FLEX W, flexible connector with plugs L, R, white, (33252)
		

TEAR N

Příslušenství k lištovému systému

- 33253** TEAR N CON-I FLEX B Track system component, TEAR N CON-I FLEX B, flexible connector with plugs L, R, black, (33253)



- 33242** TEAR N CON-L RL-W Track system component, TEAR N CON-L RL-W, corner connector type "L" with plugs R, L, white, (33242)



- 33243** TEAR N CON-L RL-B Track system component, TEAR N CON-L RL-B, corner connector type "L" with plugs R, L, black, (33243)



- 33244** TEAR N CON-L LR-W Track system component, TEAR N CON-L LR-W, corner connector type "L" with plugs L, R, white, (33244)



- 33245** TEAR N CON-L LR-B Track system component, TEAR N CON-L LR-B, corner connector type "L" with plugs L, R, black, (33245)



- 33246** TEAR N CON-X W Track system component, TEAR N CON-X W, cross connector with plugs L, L, R, R, white, (33246)



TEAR N

Příslušenství k lištovému systému

33247 TEAR N CON-X B



Track system component, TEAR N CON-X B, cross connector with plugs L, L, R, R, black, (33247)

33248 TEAR N CON-T RRL-W



Track system component, TEAR N CON-T RRL-W, connector type "T" with plugs R, R, L, white, (33248)

33249 TEAR N CON-T RRL-B



Track system component, TEAR N CON-T RRL-B, connector type "T" with plugs R, R, L, black, (33249)

33250 TEAR N CON-T RLL-W



Track system component, TEAR N CON-T RLL-W, connector type "T" with plugs R, L, L, white, (33250)

33251 TEAR N CON-T RLL-B



Track system component, TEAR N CON-T RLL-B, connector type "T" with plugs R, L, L, black, (33251)

33262 TEAR N CON-T LRR-W



Track system component, TEAR N CON-T LRR-W, connector type "T" with plugs L, R, R, white, (33262)

TEAR N

Příslušenství k lištovému systému

33263	TEAR N CON-T LRR-B	Track system component, TEAR N CON-T LRR-B, connector type "T" with plugs L, R, R, black, (33263)
		
33264	TEAR N CON-T LLR-W	Track system component, TEAR N CON-T LLR-W, connector type "T" with plugs L, L, R, white, (33264)
		
33265	TEAR N CON-T LLR-B	Track system component, TEAR N CON-T LLR-B, connector type "T" with plugs L, L, R, black, (33265)
		
33256	TEAR N SKIT W	Track system component, TEAR N SKIT W, suspension with self-regulation and cord 2m, white, (33256)
		
33257	TEAR N SKIT B	Track system component, TEAR N SKIT B, suspension with self-regulation and cord 2m, black, (33257)
		
33254	TEAR N SCLAMP W	Track system component, TEAR N SCLAMP W, mounting/stiffening suspension clamp, white, (33254)
		

TEAR N

Příslušenství k lištovému systému

33255 TEAR N SCLAMP B

Track system component,
TEAR N SCLAMP B,
mounting/stiffening
suspension clamp, black,
(33255)

