

# ***Kanlux***

**DESK LAMP**

**Kanlux  
NEDIA**

**Kanlux**

**Kanlux NEDIA**

Lampshade adjustment

**in two axes  
of rotation**





**Kanlux**

**Kanlux NEDIA**

Two colours:

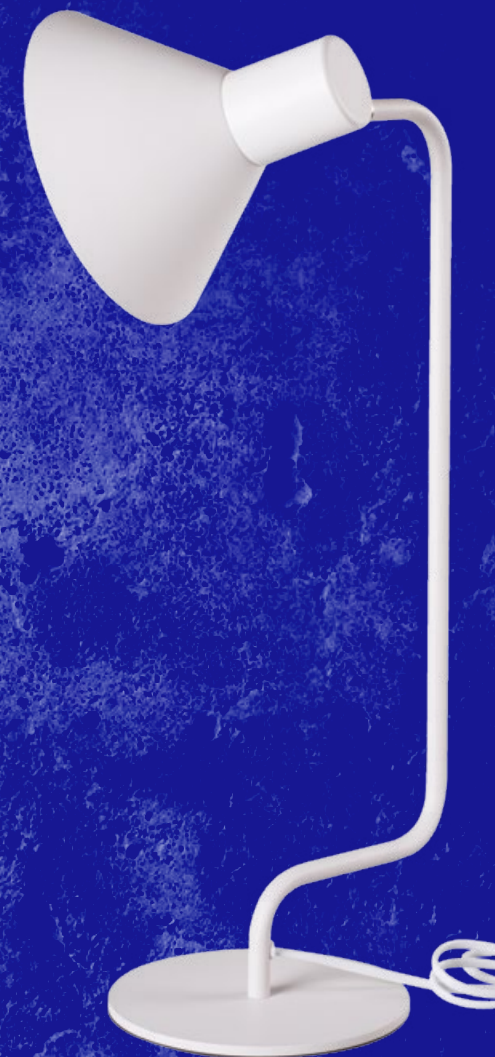
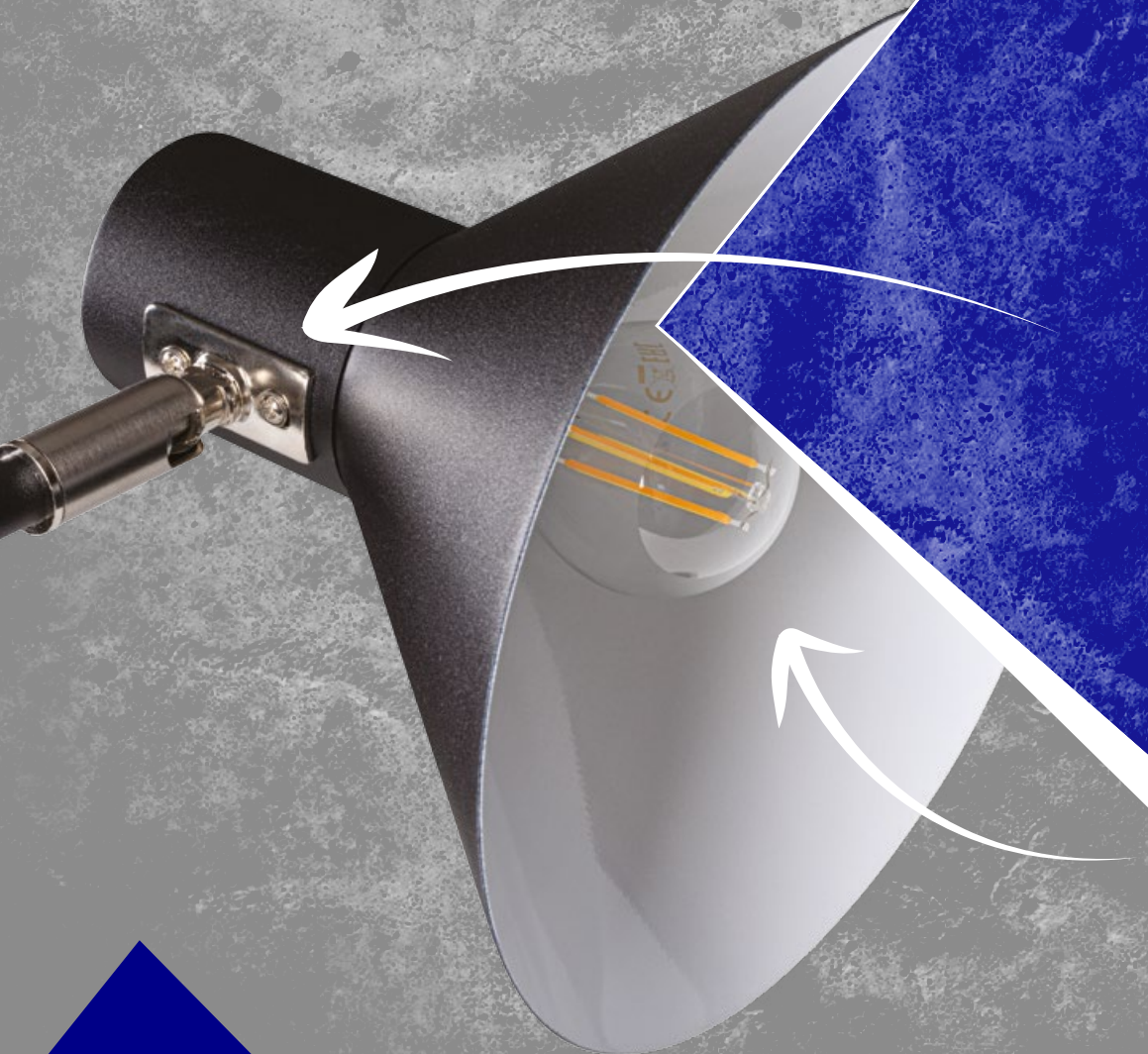
**matt white**  
**matt black**

**Silver**

adjustable joint

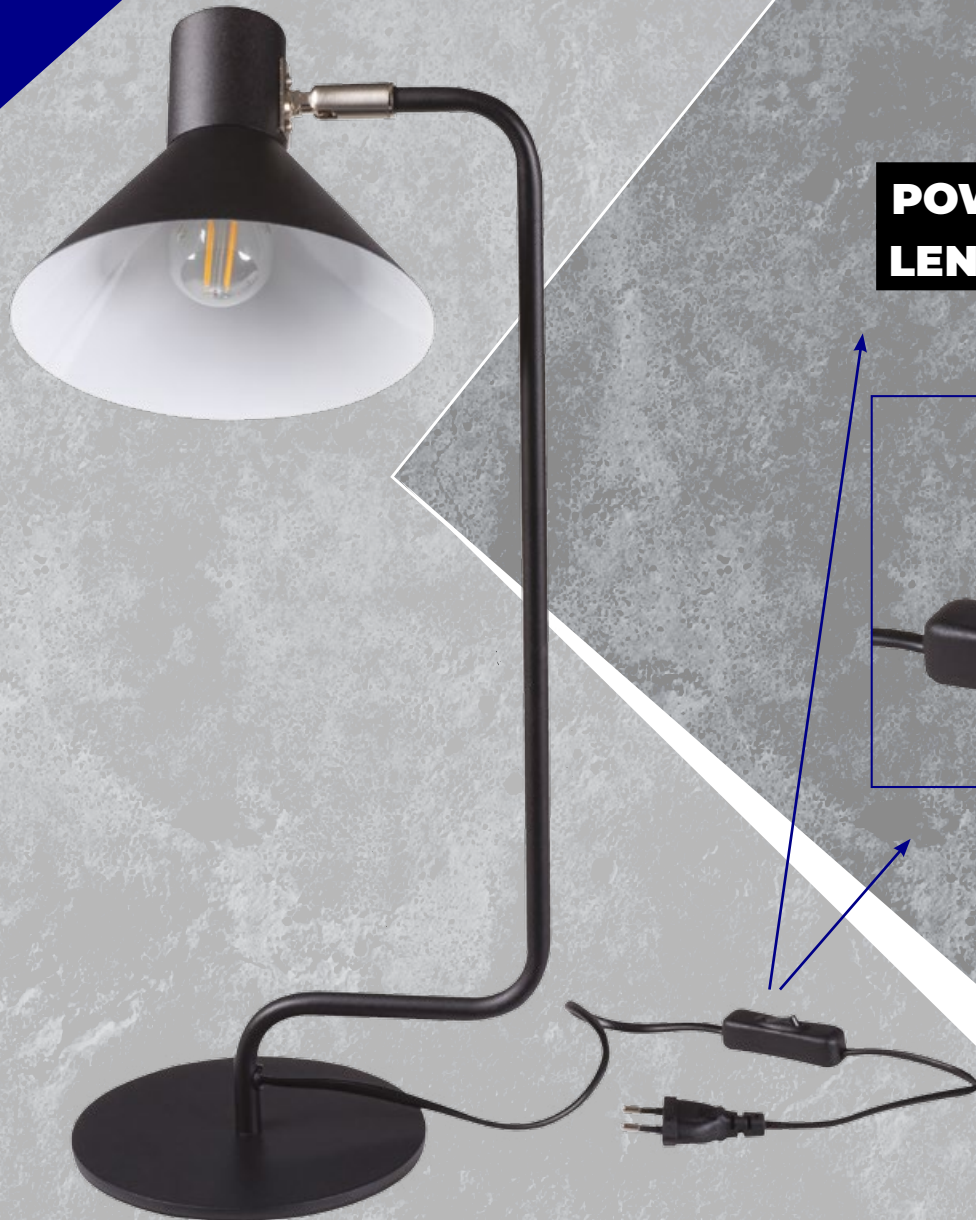
The lampshade  
is painted

**white inside**





**Kanlux**



**POWER CABLE  
LENGTH 150CM**



**ON / OFF SWITCH  
ON THE POWER CABLE**



# Kanlux

**Kanlux  
NEDIA E14 B**  
(34475)

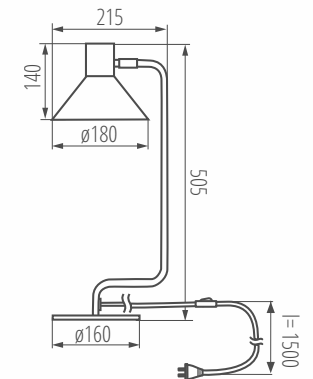


**Kanlux  
NEDIA E14 W**  
(34476)



## Kanlux NEDIA technical data:

- RATED VOLTAGE [V]: **220-240 AC**
- POWER [W]: **max 10W**
- CAP: **E14**
- MOVEABLE LAMPSHADE  
IN THE HORIZONTAL RANGE [°]: **320**  
IN THE VERTICAL RANGE [°]: **160**
- PROTECTION CLASS: **II**
- HOUSING MATERIAL: **steel**







# Kanlux

**Kanlux NEDIA**  
it will be  
irreplaceable  
additional lighting in  
your  
**office, living room  
and bedroom.**





**Kanlux**



**Kanlux NEDIA  
well packed**



**kanlux.com**